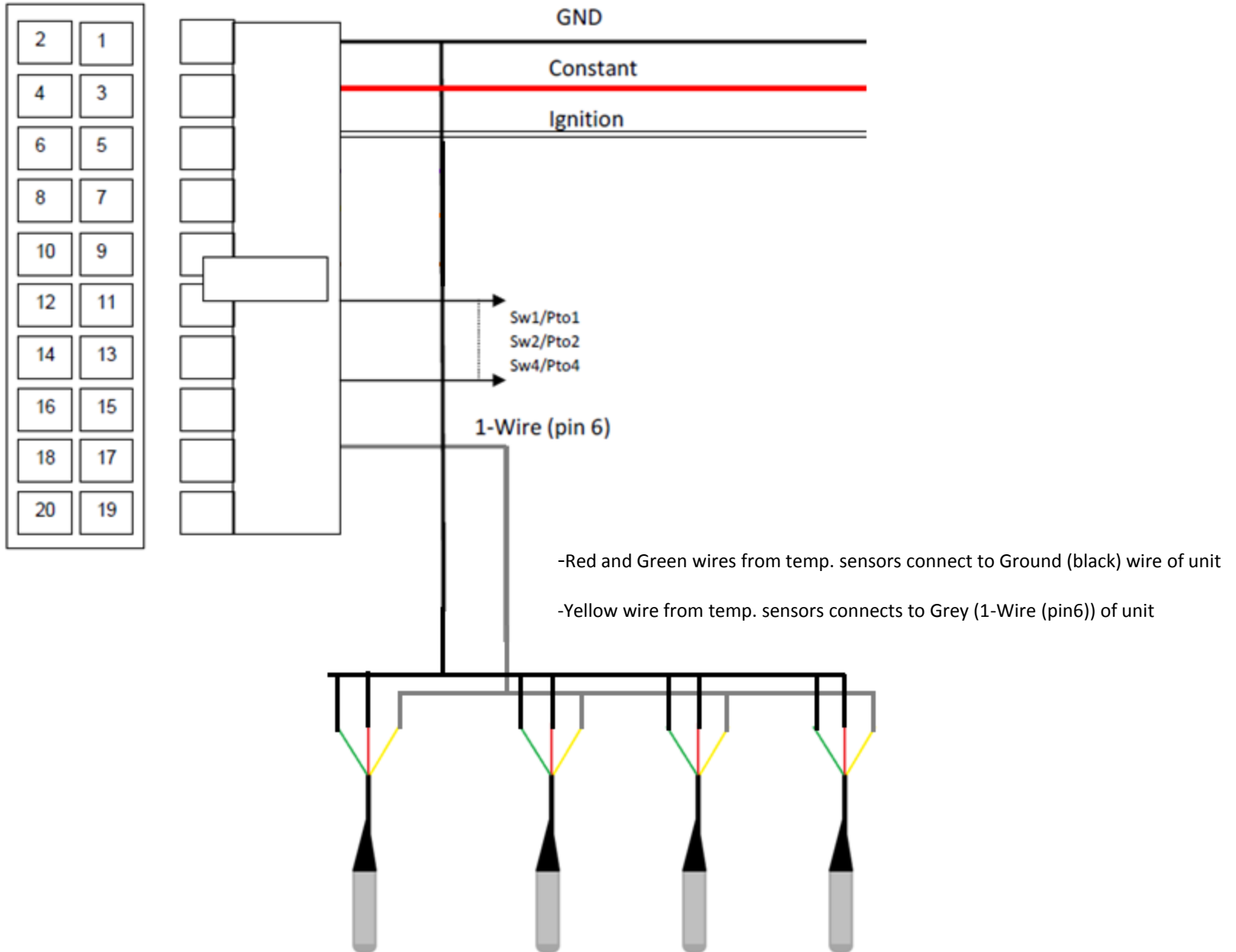


# Temperature sensor wire diagram (sensors with RED, GREEN and YELLOW wires)



# Temperature sensor wire diagram (Sensors with Yellow, Red and Black wires)

